

IPE- European I beams

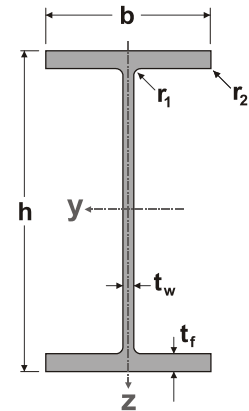
In accordance with DIN 1025, tolerances according to EN 10034, grade according to EN 10088-3: 1D

IPE - Poutrelles I européens

Conformes à DIN 1025, tolérances selon EN 10034, nuance selon EN 10088-3: 1D

IPE - Europäische I-Profile

Gemäß DIN 1025, Toleranzen nach EN 10034, Güte nach EN 10088-3: 1D



Désignation Designation Bezeichnung	Dimensions Abmessungen						Poid Weight Gewicht
	h mm	b mm	tw mm	tf mm	r1 mm	r2 mm	G kg/m

IPE 80*	80	46	3.8	5.2	2.0	1.0	6.00
IPE 100*	100	55	4.1	5.7	2.0	1.0	8.10
IPE 120*	120	64	4.4	6.3	2.0	1.0	10.4
IPE 140*	140	73	4.7	6.9	2.0	1.0	12.9
IPE 160*	160	82	5.0	7.4	2.0	1.0	15.8
IPE 180*	180	91	5.3	8.0	2.0	1.0	18.8
IPE 200*	200	100	5.6	8.5	2.0	1.0	22.4
IPE 220*	220	110	5.9	9.2	2.0	1.0	25.2
IPE 240*	240	120	6.2	9.8	2.0	1.0	29.4
IPE 270*	270	135	6.6	10.2	2.0	1.0	35.2
IPE 300*	300	150	7.1	10.7	2.0	1.0	41.4
IPE 330*	330	160	7.5	11.5	2.0	1.0	47.3
IPE 360*	360	170	8.0	12.7	2.0	1.0	56.0
IPE 400*	400	180	8.6	13.5	2.0	1.0	63.6
IPE 450*	450	190	9.4	14.6	2.0	1.0	77.6
IPE 500*	500	200	10.2	16.0	2.0	1.0	90.7
IPE 550*	550	210	11.1	17.2	2.0	1.0	106.0
IPE 600*	600	220	12.0	19.0	2.0	1.0	122.0

* Profiles are laser fused.
Full penetration, equivalent to hot rolled . r₁ = laser welded seam, r₂ = sharp corner

* Profils sont soudé a laser.
Pénétration complet, équivalent a laminé à chaud.
r₁ = cordon laser, r₂ = angle vif

* Profile werden Laser geschweisst.
Mit voller Durchschweissung, gleichwertig zu warm gewalzt.
r₁ = Laser Schweißnaht, r₂ = scharfk.

HEA - European wide flange beams

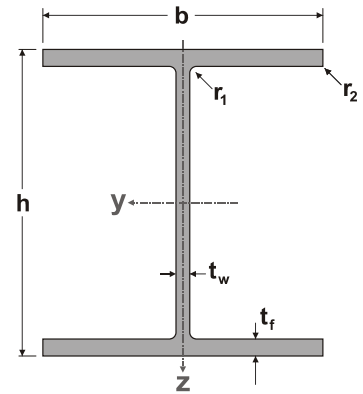
In accordance with DIN 1025, tolerances according to EN 10034, grade according to EN 10088-3: 1D

HEA - Poutrelles européens à larges ailes

Conformes à DIN 1025, tolérances selon EN 10034, nuance selon EN 10088-3: 1D

HEA - Europäische Breitflanschträger

Gemäß DIN 1025, Toleranzen nach EN 10034, Güte nach EN 10088-3: 1D



Désignation Designation Bezeichnung	Dimensions Abmessungen						Poid Weight Gewicht
	h mm	b mm	t _w mm	t _f mm	r ₁ mm	r ₂ mm	G kg/m

HEA 100*	96	100	5.0	8.0	2.0	1.0	16.7
HEA 120*	114	120	5.0	8.0	2.0	1.0	19.9
HEA 140*	133	140	5.5	8.5	2.0	1.0	24.7
HEA 160*	152	160	6.0	9.0	2.0	1.0	30.4
HEA 180*	171	180	6.0	9.5	2.0	1.0	35.5
HEA 200*	190	200	6.5	10.0	2.0	1.0	42.3
HEA 220*	210	220	7.0	11.0	2.0	1.0	50.5
HEA 240*	230	240	7.5	12.0	2.0	1.0	58.5
HEA 260*	250	260	7.5	12.5	2.0	1.0	63.6
HEA 280*	270	280	8.0	13.0	2.0	1.0	72.9
HEA 300*	290	300	8.5	14.0	2.0	1.0	83.2
HEA 320*	310	300	9.0	15.5	2.0	1.0	97.6
HEA 340*	330	300	9.5	16.5	2.0	1.0	105.0
HEA 360*	350	300	10.0	17.5	2.0	1.0	112.0
HEA 400*	390	300	11.0	19.0	2.0	1.0	125.0
HEA 450*	440	300	11.5	21.0	2.0	1.0	140.0
HEA 500*	490	300	12.0	23.0	2.0	1.0	155.0
HEA 550*	540	300	12.5	24.0	2.0	1.0	166.0
HEA 600*	590	300	13.0	25.0	2.0	1.0	178.0
HEA 650*	640	300	13.5	26.0	2.0	1.0	190.0
HEA 700*	690	300	14.5	27.0	2.0	1.0	204.0
HEA 800*	790	300	15.0	28.0	2.0	1.0	224.0
HEA 900*	890	300	16.0	30.0	2.0	1.0	252.0
HEA 1000*	990	300	16.5	31.0	2.0	1.0	272.0

* Profiles are laser fused.
Full penetration, equivalent to hot rolled . r₁ = laser welded seam, r₂ = sharp corner

* Profils sont soudé a laser.
Pénétration complet, équivalent a laminé à chaud.
r₁ = cordon laser, r₂ = angle vif

* Profile werden Laser geschweisst.
Mit voller Durchschweissung, gleichwertig zu warm gewalzt.
r₁ = Laser Schweissnaht, r₂ = scharfk.

HEB - European wide flange beams

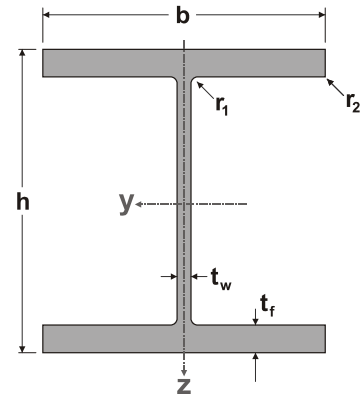
In accordance with DIN 1025, tolerances according to EN 10034, grade according to EN 10088-3: 1D

HEB - Poutrelles européens à larges ailes

Conformes à DIN 1025, tolérances selon EN 10034, nuance selon EN 10088-3: 1D

HEB - Europäische Breitflanschträger

Gemäß DIN 1025, Toleranzen nach EN 10034, Güte nach EN 10088-3: 1D



Désignation Designation Bezeichnung	Dimensions Abmessungen						Poid Weight Gewicht
	h mm	b mm	tw mm	tf mm	r1 mm	r2 mm	G kg/m

HEB 100*	100	100	6.0	10.0	2.0	1.0	20.4
HEB 120*	120	120	6.5	11.0	2.0	1.0	26.7
HEB 140*	140	140	7.0	12.0	2.0	1.0	33.7
HEB 160*	160	160	8.0	13.0	2.0	1.0	42.6
HEB 180*	180	180	8.5	14.0	2.0	1.0	51.2
HEB 200*	200	200	9.0	15.0	2.0	1.0	61.3
HEB 220*	220	220	9.5	16.0	2.0	1.0	71.5
HEB 240*	240	240	10.0	17.0	2.0	1.0	83.2
HEB 260*	260	260	10.0	17.5	2.0	1.0	93.0
HEB 280*	280	280	10.5	18.0	2.0	1.0	103.0
HEB 300*	300	300	11.0	19.0	2.0	1.0	117.0
HEB 320*	320	300	11.5	20.5	2.0	1.0	127.0
HEB 340*	340	300	12.0	21.5	2.0	1.0	134.0
HEB 360*	360	300	12.5	22.5	2.0	1.0	142.0
HEB 400*	400	300	13.5	24.0	2.0	1.0	155.0
HEB 450*	450	300	14.0	26.0	2.0	1.0	171.0
HEB 500*	500	300	14.5	28.0	2.0	1.0	187.0
HEB 550*	500	300	15.0	29.0	2.0	1.0	199.0
HEB 600*	600	300	15.5	30.0	2.0	1.0	212.0
HEB 650*	600	300	16.0	31.0	2.0	1.0	225.0
HEB 700*	700	300	17.0	32.0	2.0	1.0	241.0
HEB 800*	800	300	17.5	33.0	2.0	1.0	262.0
HEB 900*	900	300	18.5	35.0	2.0	1.0	291.0
HEB 1000*	1000	300	19.0	36.0	2.0	1.0	314.0

* Profiles are laser fused.
Full penetration, equivalent to hot rolled . r₁ = laser welded seam, r₂ = sharp corner.

* Profils sont soudé a laser.
Pénétration complet, équivalent a laminé à chaud.
r₁ = cordon laser, r₂ = angle vif.

* Profile werden Laser geschweisst.
Mit voller Durchschweissung, gleichwertig zu warm gewalzt.
r₁ = Laser Schweissnaht, r₂ = scharfk.