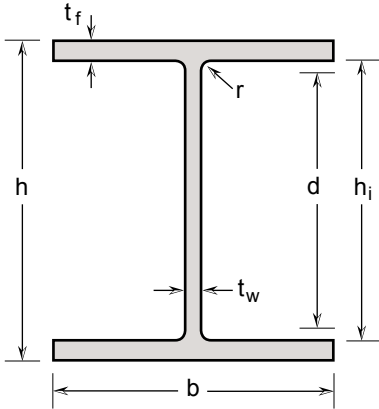


UB / UC



Universal Beams and Columns

Laser fused

according to ASTM A1069,
dimensional tolerances and grades, according to
ASTM A276, ASTM A484, ASTM A479, ASME SA479,
MTC EN 10204 3.1

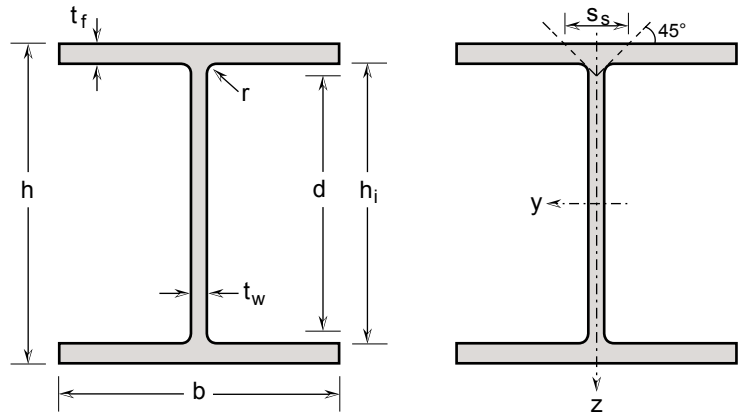
Stainless steel

Standard stainless steel grades 304/L and 316/L
Annealed and pickled, lengths of 6000 -0/+100 mm

General properties									
Designation		Dimensions						Dimensions for detailing	
	G kg/m	h mm	b mm	t _w mm	t _f mm	r* mm	A mm ² x10 ²	h _i mm	d mm
100x50	9.1	100	50	5	7	2	11.33	86.0	82.0
100x100	14.7	100	100	5	7	2	18.33	86.0	82.0
	16.9	100	100	6	8	2	21.07	84.0	80.0
125x60	12.9	125	60	6	8	2	16.17	109.0	105.0
125x125	23.6	125	125	6.5	9	2	29.49	107.0	103.0
150x75	13.9	150	75	5	7	2	17.33	136.0	132.0
150x100	20.7	148	100	6	9	2	25.83	130.0	126.0
150x150	31.3	150	150	7	10	2	39.13	130.0	126.0
	37.3	154	151	8	12	2	46.67	130.0	126.0
175x90	17.9	175	90	5	8	2	22.38	159.0	155.0
175x125	23.0	175	125	5.5	8	2	28.78	159.0	155.0
175x175	32.4	171	174	6	9	2	40.53	153.0	149.0
	40.0	175	175	7.5	11	2	50.01	153.0	149.0
200x100	17.7	198	99	4.5	7	2	22.17	184.0	180.0
	20.9	200	100	5.5	8	2	26.15	184.0	180.0
200x150	30.1	194	150	6	9	2	37.59	176.0	172.0
	36.5	198	151	7	11	2	45.57	176.0	172.0
200x200	41.0	196	199	6.5	10	2	51.27	176.0	172.0
	49.7	200	200	8	12	2	62.11	176.0	172.0
	57.7	204	201	9	14	2	72.15	176.0	172.0
	65.8	208	202	10	16	2	82.27	176.0	172.0
250x125	25.2	248	124	5	8	2	31.47	232.0	228.0
	29.2	250	125	6	9	2	36.45	232.0	228.0
250x175	43.3	244	175	7	11	2	54.07	222.0	218.0
	50.8	248	176	8	13	2	63.55	222.0	218.0
	58.5	252	177	9	15	2	73.11	222.0	218.0
250x250	66.0	248	249	8	13	2	82.53	222.0	218.0
	72.0	250	250	9	14	2	90.01	222.0	218.0
	98.3	260	253	12	19	2	122.81	222.0	218.0

* Profiles are laser fused with full penetration, equivalent to hot rolled (r = laser seam).

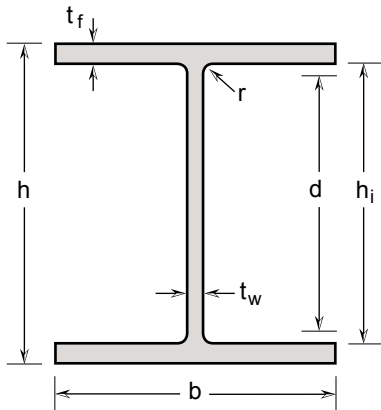
UB / UC



Structural properties

Designation	Strong axis y-y					Weak axis z-z					S _s mm	I _t mm ⁴ x10 ⁴	I _w mm ⁶ x10 ⁹
	I _y mm ⁴ x10 ⁴	W _{el,y} mm ³ x10 ³	W _{pl,y} mm ³ x10 ³	i _y mm x10	A _{vz} mm ² x10 ²	I _z mm ⁴ x10 ⁴	W _{el,z} mm ³ x10 ³	W _{pl,z} mm ³ x10 ³	i _z mm x10				
100x50	178.77	35.75	41.94	3.97	4.96	14.68	5.87	9.30	1.14	21.34	1.55	0.32	
100x100	330.41	66.08	74.49	4.25	4.96	116.76	23.35	35.55	2.52	21.34	2.70	2.52	
	369.64	73.93	84.33	4.19	5.87	133.49	26.70	40.77	2.52	24.34	4.11	2.82	
125x60	394.80	63.17	74.17	4.94	7.37	29.00	9.67	15.39	1.34	24.34	2.92	0.99	
125x125	825.74	132.12	149.29	5.29	7.93	293.22	46.91	71.46	3.15	26.84	7.15	9.86	
150x75	643.59	85.81	98.43	6.09	7.46	49.36	13.16	20.55	1.69	21.34	2.33	2.52	
150x100	981.94	132.69	150.67	6.17	8.73	150.24	30.05	46.18	2.41	26.34	5.84	7.25	
	1602.09	213.61	239.80	6.40	10.23	562.88	75.05	114.11	3.79	29.34	11.57	27.56	
150x150	1979.11	257.03	291.33	6.51	11.87	689.15	91.28	138.90	3.84	34.34	19.63	34.71	
	1174.41	134.22	152.11	7.24	8.70	97.37	21.64	33.40	2.09	23.34	3.75	6.78	
175x125	1581.90	180.79	202.03	7.41	9.54	260.64	41.70	63.71	3.01	23.84	5.20	18.16	
175x175	2238.09	261.76	289.07	7.43	10.11	790.48	90.86	137.63	4.42	26.34	9.60	51.85	
	2818.46	322.11	359.85	7.51	12.77	983.10	112.35	170.60	4.43	31.84	17.74	66.07	
200x100	1501.12	151.63	170.77	8.23	8.91	113.34	22.90	35.24	2.26	20.84	2.85	10.32	
	1763.81	176.38	200.47	8.21	10.91	133.59	26.72	41.40	2.26	23.84	4.48	12.29	
200x150	2587.23	266.72	296.51	8.30	11.49	506.57	67.54	102.85	3.67	26.34	8.60	43.32	
	3228.18	326.08	365.12	8.42	13.56	631.72	83.67	127.58	3.72	31.34	15.39	55.18	
200x200	3743.56	382.00	420.78	8.54	12.52	1313.84	132.04	199.88	5.06	28.84	14.90	113.60	
	4613.12	461.31	513.45	8.62	15.55	1600.76	160.08	242.83	5.08	34.34	26.06	141.38	
	5499.98	539.21	604.66	8.73	17.69	1895.88	188.65	286.39	5.13	39.34	40.90	171.01	
	6427.96	618.07	698.28	8.84	19.87	2199.45	217.77	330.85	5.17	44.34	60.55	202.57	
250x125	3382.90	272.81	305.76	10.37	12.35	254.46	41.04	62.96	2.84	23.34	5.21	36.61	
	3897.52	311.80	352.26	10.34	14.85	293.39	46.94	72.41	2.84	26.34	7.79	42.54	
250x175	5871.62	481.28	535.15	10.42	16.78	983.19	112.36	171.17	4.26	31.34	18.05	133.35	
	7057.79	569.18	636.63	10.54	19.35	1182.17	134.34	204.91	4.31	36.34	29.40	163.08	
	8291.17	658.03	740.50	10.65	21.96	1387.67	156.80	239.48	4.36	41.34	44.77	194.67	
250x250	9680.88	780.72	859.64	10.83	19.35	3345.91	268.75	406.57	6.37	36.34	40.09	461.81	
	10583.01	846.64	937.27	10.84	21.83	3647.19	291.78	442.01	6.37	39.34	50.98	507.65	
	15086.99	1160.54	1306.72	11.08	29.71	5131.40	405.64	616.10	6.46	52.34	127.43	744.63	

UB / UC



Universal Beams and Columns

Laser fused

according to ASTM A1069,
dimensional tolerances and grades, according to
ASTM A276, ASTM A484, ASTM A479, ASME SA479,
MTC EN 10204 3.1

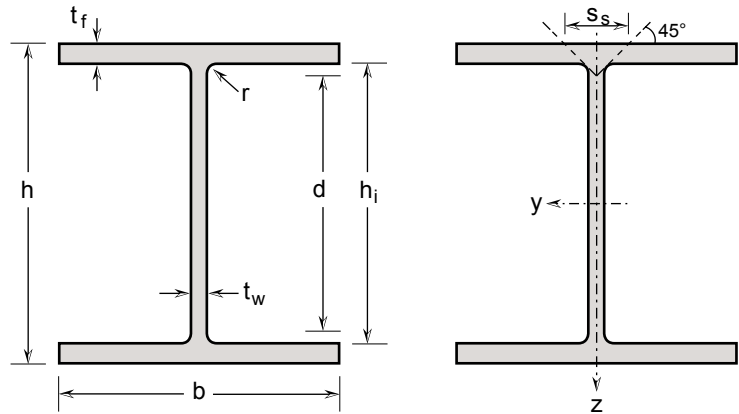
Stainless steel

Standard stainless steel grades 304/L and 316/L
Annealed and pickled, lengths of 6000 -0/+100 mm

General properties									
Designation		Dimensions						Dimensions for detailing	
	G kg/m	h mm	b mm	t _w mm	t _f mm	r* mm	A mm ² x10 ²	h _i mm	d mm
300x150	24.4	294	148	4.5	6	2	30.48	282.0	278.0
	31.5	298	149	5.5	8	2	39.38	282.0	278.0
	36.3	300	150	6.5	9	2	45.36	282.0	278.0
	41.1	304	150	6.5	11	2	51.36	282.0	278.0
	45.9	306	151	7.5	12	2	57.42	282.0	278.0
	69.2	318	154	11	18	2	86.49	282.0	278.0
300x200	47.0	290	199	7	10	2	58.73	270.0	266.0
	55.7	294	200	8	12	2	69.63	270.0	266.0
	64.5	298	201	9	14	2	80.61	270.0	266.0
	76.6	304	202	10	17	2	95.71	270.0	266.0
300x300	86.4	298	299	9	14	2	108.05	270.0	266.0
	93.6	300	300	10	15	2	117.03	270.0	266.0
	105.7	304	301	11	17	2	132.07	270.0	266.0
	125.1	310	303	13	20	2	156.33	270.0	266.0
	130.0	310	305	15	20	2	162.53	270.0	266.0
	147.4	312	310	20	21	2	184.23	270.0	266.0
350x175	40.8	346	174	6	9	2	51.03	328.0	324.0
	49.2	350	175	7	11	2	61.49	328.0	324.0
	57.6	354	176	8	13	2	72.03	328.0	324.0
	66.1	358	177	9	15	2	82.65	328.0	324.0
	71.8	360	178	10	16	2	89.79	328.0	324.0
	79.9	364	177	11	18	2	99.83	328.0	324.0
350x350	114.1	344	348	10	16	2	142.59	312.0	308.0
	136.4	350	350	12	19	2	170.47	312.0	308.0
400x200	56.0	396	199	7	11	2	69.99	374.0	370.0
	65.6	400	200	8	13	2	81.95	374.0	370.0
	75.2	404	201	9	15	2	93.99	374.0	370.0
	88.1	410	202	10	18	2	110.15	374.0	370.0

* Profiles are laser fused with full penetration, equivalent to hot rolled (r = laser seam).

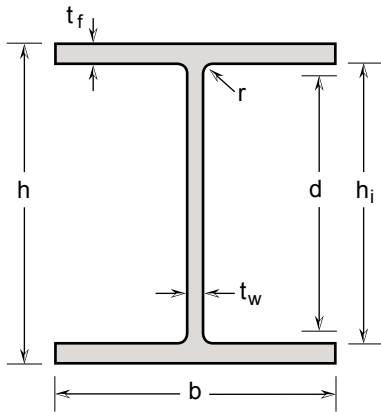
UB / UC



Structural properties

Designation	Strong axis y-y					Weak axis z-z					S _s mm	I _t mm ⁴ x10 ⁴	I _w mm ⁶ x10 ⁹
	I _y mm ⁴ x10 ⁴	W _{el,y} mm ³ x10 ³	W _{pl,y} mm ³ x10 ³	i _y mm x10	A _{vz} mm ² x10 ²	I _z mm ⁴ x10 ⁴	W _{el,z} mm ³ x10 ³	W _{pl,z} mm ³ x10 ³	i _z mm x10				
300x150	4531.00	308.23	345.69	12.19	13.23	324.40	43.84	67.15	3.26	18.84	3.03	67.22	
	6048.26	405.92	455.51	12.39	16.30	441.45	59.26	90.95	3.35	23.84	6.70	92.73	
	6939.30	462.62	522.56	12.37	19.31	506.90	67.59	104.24	3.34	26.84	9.97	107.17	
	8307.38	546.54	613.16	12.72	19.52	619.40	82.59	126.74	3.47	30.84	15.80	132.80	
	9243.84	604.17	682.32	12.69	22.56	689.59	91.34	140.79	3.47	33.84	21.28	148.80	
14551.45	915.19	1050.77	12.97	33.75	1098.82	142.70	221.99	3.56	49.34	71.38	246.53		
300x200	8958.51	617.83	685.24	12.35	20.03	1314.21	132.08	201.33	4.73	29.34	16.44	257.43	
	10867.06	739.26	823.06	12.49	23.07	1601.16	160.12	244.34	4.80	34.34	27.67	318.10	
	12839.93	861.74	963.66	12.62	26.15	1896.46	188.70	288.29	4.85	39.34	43.18	382.07	
15805.77	1039.85	1168.27	12.85	29.41	2337.61	231.45	353.60	4.94	46.34	74.23	480.90		
300x300	18377.42	1233.38	1353.31	13.04	26.15	6238.86	417.31	631.29	7.60	39.34	61.11	1257.67	
	19938.97	1329.26	1465.21	13.05	29.13	6752.26	450.15	681.77	7.60	42.34	76.39	1370.67	
	22909.25	1507.19	1669.52	13.17	32.28	7729.76	513.61	778.30	7.65	47.34	110.10	1591.11	
	27661.24	1784.60	1994.79	13.30	38.53	9277.67	612.39	929.52	7.70	55.34	180.30	1949.59	
	28157.76	1816.63	2042.84	13.16	44.33	9465.16	620.67	945.46	7.63	57.34	193.73	1988.45	
30898.23	1980.66	2259.37	12.95	59.07	10444.89	673.86	1036.09	7.53	64.34	270.32	2207.39		
350x175	10668.13	616.65	689.68	14.46	20.61	790.80	90.90	139.21	3.94	26.34	10.86	224.36	
	13132.65	750.44	841.41	14.61	24.20	983.49	112.40	172.47	4.00	31.34	19.26	282.29	
	15670.68	885.35	995.94	14.75	27.83	1182.62	134.39	206.61	4.05	36.34	31.21	343.38	
	18283.61	1021.43	1153.29	14.87	31.50	1388.31	156.87	241.63	4.10	41.34	47.34	407.74	
	19813.01	1100.72	1249.23	14.85	35.07	1506.68	169.29	261.69	4.10	44.34	59.07	444.92	
22331.84	1227.02	1398.77	14.96	38.81	1667.22	188.39	291.90	4.09	49.34	82.37	497.89		
350x350	32514.40	1890.37	2070.20	15.10	33.47	11241.06	646.04	976.65	8.88	44.34	104.96	3022.69	
	39514.49	2257.97	2493.72	15.22	40.51	13581.59	776.09	1175.00	8.93	52.34	176.96	3718.80	
400x200	19291.22	974.30	1088.19	16.60	27.42	1445.85	145.31	222.40	4.54	31.34	21.92	535.38	
	22976.82	1148.84	1286.59	16.74	31.51	1734.94	173.49	266.00	4.60	36.34	35.51	649.00	
	26758.42	1324.67	1488.20	16.87	35.64	2032.43	202.23	310.60	4.65	41.34	53.86	768.01	
	32327.17	1576.94	1775.64	17.13	39.95	2475.85	245.13	376.60	4.74	48.34	89.50	949.92	

UB / UC



Universal Beams and Columns

Laser fused

according to ASTM A1069,
dimensional tolerances and grades, according to
ASTM A276, ASTM A484, ASTM A479, ASME SA479,
MTC EN 10204 3.1

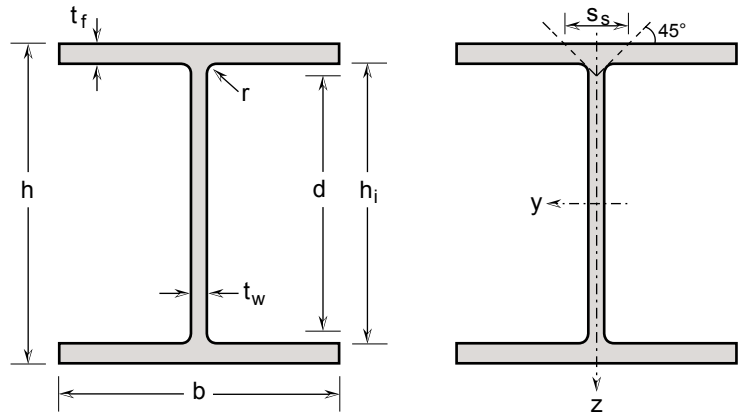
Stainless steel

Standard stainless steel grades 304/L and 316/L
Annealed and pickled, lengths of 6000 -0/+100 mm

General properties									
Designation		Dimensions						Dimensions for detailing	
	G kg/m	h mm	b mm	t _w mm	t _f mm	r* mm	A mm ² x10 ²	h _i mm	d mm
400x300	92.8	386	299	9	14	2	115.97	358.0	354.0
	105.5	390	300	10	16	2	131.83	358.0	354.0
	126.2	396	302	12	19	2	157.75	358.0	354.0
400x400	139.5	388	402	15	15	2	174.33	358.0	354.0
	146.2	394	398	11	18	2	182.69	358.0	354.0
	171.7	400	400	13	21	2	214.57	358.0	354.0
450x200	65.2	446	199	8	12	2	81.55	422.0	418.0
	75.2	450	200	9	14	2	94.01	422.0	418.0
	88.5	456	201	10	17	2	110.57	422.0	418.0
	98.6	460	202	11	19	2	123.21	422.0	418.0
	109.6	460	205	14	19	2	137.01	422.0	418.0
450x300	104.1	434	299	10	15	2	130.13	404.0	400.0
	122.0	440	300	11	18	2	152.47	404.0	400.0
	143.5	446	302	13	21	2	179.39	404.0	400.0
500x200	78.3	496	199	9	14	2	97.87	468.0	464.0
	88.7	500	200	10	16	3	110.88	468.0	462.0
	102.4	506	201	11	19	4	128.00	468.0	460.0
	116.2	512	202	12	22	5	145.25	468.0	458.0
500x300	112.0	482	300	11	15	6	140.03	452.0	440.0
	126.5	488	300	11	18	7	158.14	452.0	438.0
	148.9	494	302	13	21	8	186.15	452.0	436.0
600x200	77.8	592	197	8	13	9	97.20	566.0	548.0
	93.7	596	199	10	15	10	117.16	566.0	546.0
	105.0	600	200	11	17	11	131.30	566.0	544.0
	119.6	606	201	12	20	12	149.56	566.0	542.0
600x300	135.4	582	300	12	17	13	169.21	548.0	522.0
	150.0	588	300	12	20	14	187.44	548.0	520.0
	174.1	594	302	14	23	15	217.57	548.0	518.0

* Profiles are laser fused with full penetration, equivalent to hot rolled (r = laser seam).

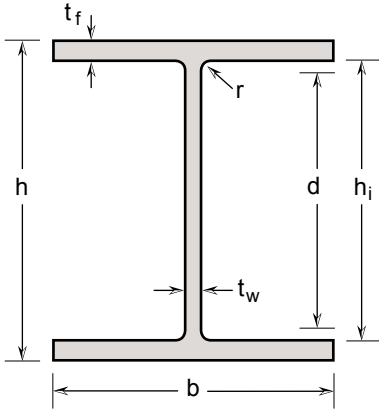
UB / UC



Structural properties

Designation	Strong axis y-y					Weak axis z-z					S _s mm	I _t mm ⁴ x10 ⁴	I _w mm ⁶ x10 ⁹
	I _y mm ⁴ x10 ⁴	W _{el,y} mm ³ x10 ³	W _{pl,y} mm ³ x10 ³	i _y mm x10	A _{vz} mm ² x10 ²	I _z mm ⁴ x10 ⁴	W _{el,z} mm ³ x10 ³	W _{pl,z} mm ³ x10 ³	i _z mm x10				
400x300	32429.60	1680.29	1846.17	16.72	34.07	6239.39	417.35	633.07	7.33	39.34	63.25	2157.83	
	37425.23	1919.24	2116.22	16.85	38.07	7202.99	480.20	728.97	7.39	44.34	93.38	2517.77	
	45410.55	2293.46	2548.33	16.97	46.03	8727.31	577.97	879.35	7.44	52.34	157.66	3099.17	
400x400	47716.29	2459.60	2730.42	16.54	56.58	16251.29	808.52	1232.19	9.66	47.34	133.42	5649.06	
	54896.43	2786.62	3046.73	17.33	42.11	18917.42	950.62	1436.49	10.18	49.34	169.62	6684.77	
	65372.53	3268.63	3600.75	17.45	50.14	22406.57	1120.33	1695.15	10.22	57.34	271.24	8043.90	
450x200	27520.76	1234.11	1393.28	18.37	35.23	1577.93	158.59	244.37	4.40	34.34	30.14	742.18	
	32274.17	1434.41	1622.21	18.53	39.83	1869.24	186.92	288.56	4.46	39.34	46.69	887.11	
	39220.69	1720.21	1946.00	18.83	44.61	2304.36	229.29	353.98	4.57	46.34	78.97	1108.55	
	44248.10	1923.83	2183.01	18.95	49.30	2614.79	258.89	400.42	4.61	51.34	109.43	1269.04	
450x300	46681.50	2029.63	2341.71	18.46	62.53	2737.79	267.10	419.94	4.47	54.34	132.76	1326.42	
	44895.26	2068.91	2287.95	18.57	42.53	6686.10	447.23	680.63	7.17	42.34	80.63	2933.06	
	54170.22	2462.28	2728.34	18.85	47.17	8104.49	540.30	822.24	7.29	49.34	133.56	3606.20	
500x200	64480.17	2891.49	3226.49	18.96	56.12	9647.68	638.92	974.73	7.33	57.34	214.10	4353.18	
	40078.31	1616.06	1836.46	20.24	43.97	1841.66	185.09	286.70	4.34	39.34	47.63	1068.00	
	46078.61	1843.14	2098.16	20.39	49.44	2137.26	213.73	331.74	4.39	45.51	70.08	1249.37	
	54781.17	2165.26	2465.37	20.69	55.23	2576.77	256.40	398.05	4.49	53.69	111.99	1524.71	
500x300	63752.81	2490.34	2839.63	20.95	61.21	3029.06	299.91	465.84	4.57	61.86	168.59	1814.09	
	57707.94	2394.52	2670.28	20.30	53.48	6755.16	450.34	688.88	6.95	48.03	89.68	3680.25	
	68349.16	2801.20	3109.28	20.79	54.64	8105.22	540.35	823.97	7.16	55.20	138.45	4473.23	
600x200	81271.57	3290.35	3676.07	20.89	65.40	9648.92	639.00	977.19	7.20	64.37	222.88	5392.02	
	55572.26	1877.44	2143.07	23.91	49.36	1659.16	168.44	261.73	4.13	44.54	40.37	1388.31	
	66179.52	2220.79	2559.28	23.77	61.96	1975.32	198.52	311.78	4.11	51.72	67.47	1662.61	
	75236.92	2507.90	2892.32	23.94	68.91	2273.60	227.36	357.95	4.16	57.89	96.09	1926.04	
600x300	88154.00	2909.37	3351.44	24.28	76.36	2715.95	270.24	425.46	4.26	66.06	146.87	2323.82	
	98951.33	3400.39	3821.74	24.18	73.67	7659.04	510.60	786.02	6.73	61.23	139.32	6105.18	
	114520.43	3895.25	4354.49	24.72	75.44	9009.29	600.62	921.26	6.93	68.40	201.47	7259.04	
	133912.27	4508.83	5069.50	24.81	88.77	10572.98	700.20	1077.70	6.97	77.57	310.61	8606.16	

UB / UC



Universal Beams and Columns

Laser fused

according to ASTM A1069,
dimensional tolerances and grades, according to
ASTM A276, ASTM A484, ASTM A479, ASME SA479,
MTC EN 10204 3.1

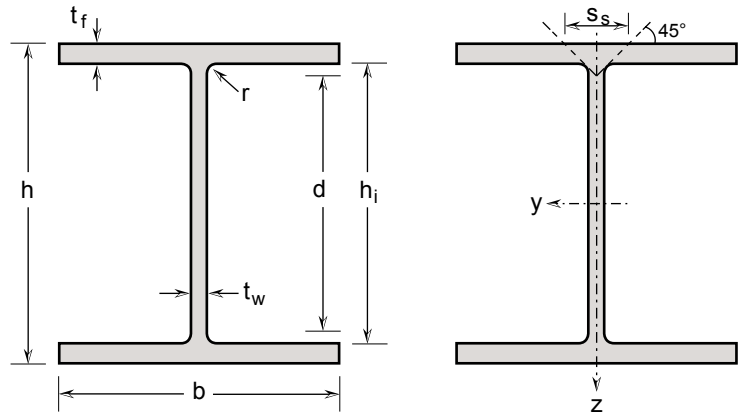
Stainless steel

Standard stainless steel grades 304/L and 316/L
Annealed and pickled, lengths of 6000 -0/+100 mm

General properties									
Designation		Dimensions						Dimensions for detailing	
	G kg/m	h mm	b mm	t _w mm	t _f mm	r* mm	A mm ² x10 ²	h _i mm	d mm
700x300	165.6	692	300	13	20	16	206.96	652.0	620.0
	185.0	700	300	13	24	17	231.24	652.0	618.0
800x300	191.6	792	300	14	22	18	239.50	748.0	712.0
	211.1	800	300	14	26	19	263.82	748.0	710.0
900x300	214.1	890	299	15	23	20	267.57	844.0	804.0

* Profiles are laser fused with full penetration, equivalent to hot rolled (r = laser seam).

UB / UC



Structural properties

Designation	Strong axis y-y					Weak axis z-z				S_s mm	I_t mm ⁴ x10 ⁴	I_w mm ⁶ x10 ⁹
	I_y mm ⁴ x10 ⁴	$W_{el,y}$ mm ³ x10 ³	$W_{pl,y}$ mm ³ x10 ³	i_y mm x10	A_{vz} mm ² x10 ²	I_z mm ⁴ x10 ⁴	$W_{el,z}$ mm ³ x10 ³	$W_{pl,z}$ mm ³ x10 ³	i_z mm x10			
700x300	167829.81	4850.57	5484.44	28.48	95.96	9014.17	600.94	929.76	6.60	71.75	223.90	10160.64
	197187.00	5633.91	6328.72	29.20	98.52	10814.57	720.97	1110.10	6.84	80.92	339.82	12338.35
800x300	248349.13	6271.44	7143.16	32.20	118.50	9920.48	661.37	1029.72	6.44	79.09	304.85	14674.28
	286797.44	7169.94	8110.05	32.97	121.34	11721.02	781.40	1210.14	6.67	88.26	442.71	17522.97
900x300	339675.06	7633.15	8776.98	35.63	142.68	10275.50	687.32	1079.70	6.20	84.43	371.15	19256.10